

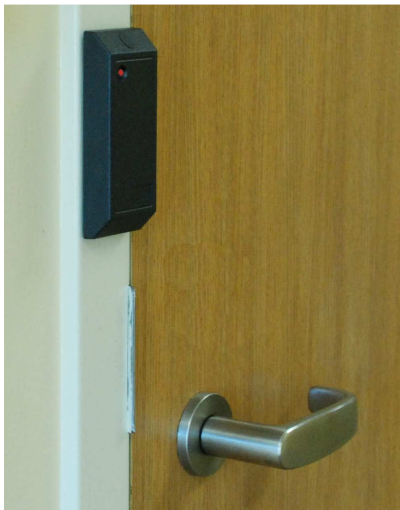


Maximum RFID

SR-2400™ Sentinel-Prox™ Proximity Reader

AWID's SR-2400 Proximity Card Reader is the value-leader for Access Control applications. With a range up to 5.5 inches, the SR-2400 reader delivers excellent performance without compromising quality, durability, attractive appearance, and ease of installation.

Installation The SR-2400 reader is designed to fit perfectly on the 1-3/4 inch standard metal door frame or window mullion. The metal-compensation that is built into every SR-2400 reader assures minimal loss of read range when the reader is mounted on a metal surface. The SR-2400 reader also can be fastened by 2 screws on any wall or other surface. Installation may be indoors or outdoors, exposed to weather.



Features The SR-2400 reader contains a 3-color LED and a 4 kilohertz beeper. Both LED and beeper are controlled by the reader itself, and also can be controlled externally by the host system. The LED can indicate access-granted by the host. The beeper can be used as an alarm that prevents further card reads until the alarm condition is cleared.

Testing The reader is *self-testing* – using its own LED and beeper, it needs no interface to a controller to assure the installer and cardholder of correct performance. The reader is also *self-diagnostic* – if DC power is unstable, or if electrical noise is induced in the cable, the reader resets and its LED changes to amber.

Operation AWID's proximity readers use a re-present mode that requires that the user remove the card from the reader's field before the card can be read again. This feature eliminates multiple reads from a single presentation of the card. The SR-2400 has both Wiegand data interface for basic 4-wire connection (6 wires when all features are controlled), and also RS-232 serial interface. Code transmission from both interfaces is simultaneous.

Environment The SR-2400 reader is ready for challenging applications. The ABS plastic one-part enclosure, fully potted at the back surface with epoxy resin, stands up to physical abuse and adverse environment.

Credentials All of AWID's 125 kilohertz proximity credentials may be used with the SR-2400 reader. This includes clamshell and graphics-quality cards, keytags, hangtags and adhesive wafers. Read range varies with the credential type.



FEATURES

Compact size ...

Fits on a mullion or door frame

Clean, slim design...

Matches good architecture at site

Ready for rough usage...

Rugged, strong construction

Ready for adverse weather...

One-part enclosure with potting

Easy mounting...

2 screws (supplied) for fastening

Special read range in a small unit...

Up to 5.5 inches with cards

Visual and audible indicators...

3-color LED and beeper inside reader

Controllable functions in reader...

LED and beeper can be wired to panel

Easy power...

Connects to panel's DC terminals

Quick wiring to host panel...

Basic 4-wire hook-up; 6 wires maximum

Standard Wiegand data output...

Data-0 & Data-1 panel connection

Compatible with other readers...

Same interface used in other readers

Uniform code format...

Standard 26-bit plus special codes

No programming in reader...

SR-2400 is ready to read all AWID codes

Self-testing for good operation...

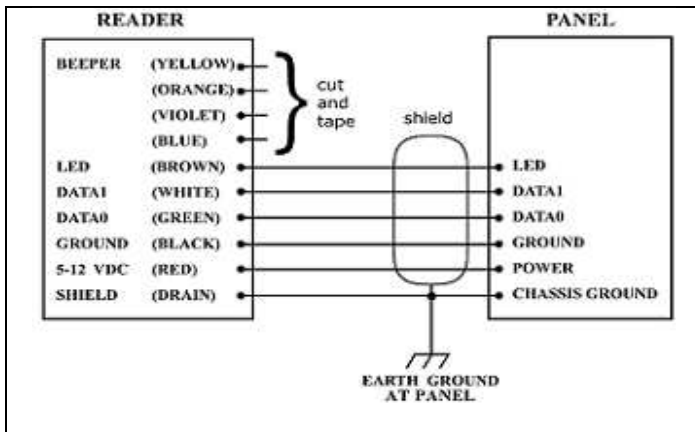
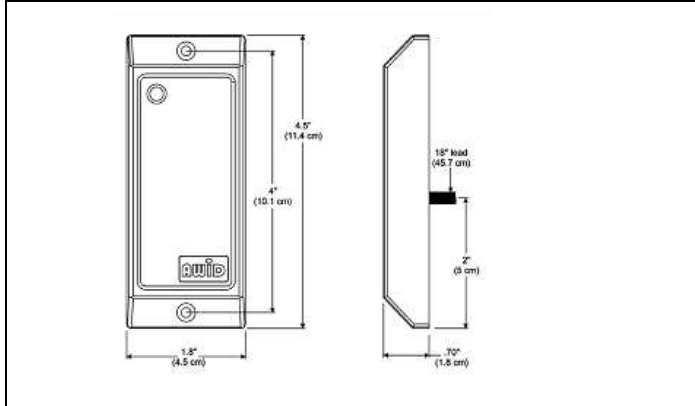
LED & beeper indicate performance

High value ratio...

Excellent performance; modest cost

SR-2400™

Sentinel-Prox™ Proximity Reader



ACCESSORIES AND SUPPLIES

Mounting hardware – 2 #6-32 x 1" thread-cutting screws (supplied). Use other fasteners as needed for mounting.

Power supply – Reader operates with voltage between +5 volts and +12 volts DC. Most controller panels provide suitable voltage on power and ground terminals. External linear, regulated DC power supply may be used (100 mA or more current rating).

Cable for power and data – 22 gauge, stranded, color-coded, overall shielded, not twisted pair. 4 to 6 conductors depending on connection of reader's controllable functions (LED and beeper). For Wiegand, up to 500 feet.

Protective housing – SR-2400 is suitable for exposure to rain, snow and bright sunshine. Mount reader inside a Lexan housing to remove reader from view and abuse. AWID suggests Model PCH049 housing from The Housing Company.

Installation Sheet – Download full instructions from AWID's web site: <http://www.awid.com>.

CREDENTIALS

Proximity cards, keytags, hangtags and wafers – AWID offers a selection of cards, tags and wafers for use with the SR-2400 readers.

OPERATING CHARACTERISTICS

Reading Distance:

With cards – up to 5.5 inches (14 cm)
(varies with credential type, voltage applied to reader, and local conditions)

Excitation Frequency:

Transmit and Receive - 125 kHz

Antenna Output:

Omni-directional low-frequency RF field

Indicators (Control by Reader and Panel):

LED – 3 colors, red-amber-green
Beeper – piezo-electric, 4 kHz tone

Power Supply:

+5 volts to +12 volts DC \pm 10%, linear, regulated;
current rating: 100 mA or more

Communication Protocols:

Wiegand electrical protocol

Code Formats:

Determined by AWID's credentials programmed with 26 bits to 50 bits

Cable (for Wiegand Interface):

4 to 6 conductors (not twisted pairs), stranded, 22 gauge, color-coded, overall 100% shielded, plastic jacket, up to 500 feet

PHYSICAL CHARACTERISTICS

Dimensions:

4.5 x 1.8 x 0.7 inch (11.4 x 4.5 x 1.8 cm)

Weight:

4 ounces (113 g)

Material:

ABS 1-part enclosure, dark gray color
Epoxy resin potting at rear surface

Cable (Integrated with Reader):

10 conductors, 22 gauge, 18 inches long.
Overall shielded, plastic jacket

Mounting:

Door frame, window mullion, wall, cabinet

ENVIRONMENT

Operating Temperature:

-31°F to 150°F (-35°C to 65°C)

Operating Humidity:

0% to 95% non-condensing

Protection from Environment:

Use Lexan housing when reader must be away from view or damage.

Avoiding Interference:

Optimize reader performance by spacing or shielding reader from neighboring readers, including reader on other side of wall at door.

CERTIFICATION

ISO-9001:2000; FCC Part 15; IC; UL listed



18300 Sutter Blvd. Morgan Hill, CA 95037
Tel: (408) 825-1100 Fax: (408) 782-7402
<http://www.awid.com>