

## IP SMART-SIGHT SERIES

Provision-ISR SMART-SIGHT Series includes high-performance AI Cameras designed for specific purposes and applications. The SMART-SIGHT components: the sensor, optics, CPU, lighting, Etc., were specially selected to deliver the most accurate AI results for the required application.



# I6-320LPR-MVF2

## 60M IR 2MP MOTORIZED LENS LPR BULLET CAMERA

Provision-ISR I6-320LPR-MVF2 LPR camera relies on the most advanced image-processing technology. Equipped with a 7-2mm motorized lens, this 2MP bullet camera is designed to capture international license plate digits and letters. The I6-320LPR-MVF2 captures the license plate in real-time, generating appropriate actions such as opening a gate or giving an alert. The Provision-ISR LPR cameras' best application is gate automation and street monitoring.



**SMART PLATE**  
LICENCE PLATE RECOGNITION CAMERAS



### MAIN FEATURES

- 2MP
- 1920x1080 Resolution
- 7-22mm Motorized Vari-Focal (44°-17.6°)
- 3D-DNR
- IP67
- 2-Way Audio
- Alarm in + out

### ANALYTICS

- General Analytics: Camera Tampering
- LPR (licence plate recognition):
  - LPR (detection speed): 0-70Km/h
  - LPR (database):10000 Plate Database



## SPECIFICATIONS

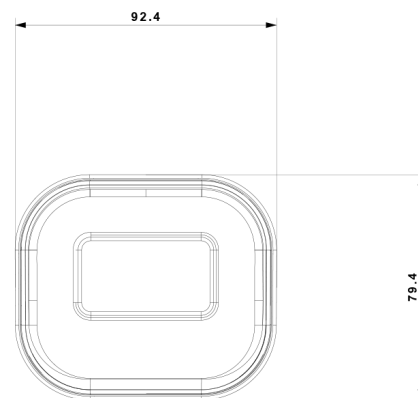
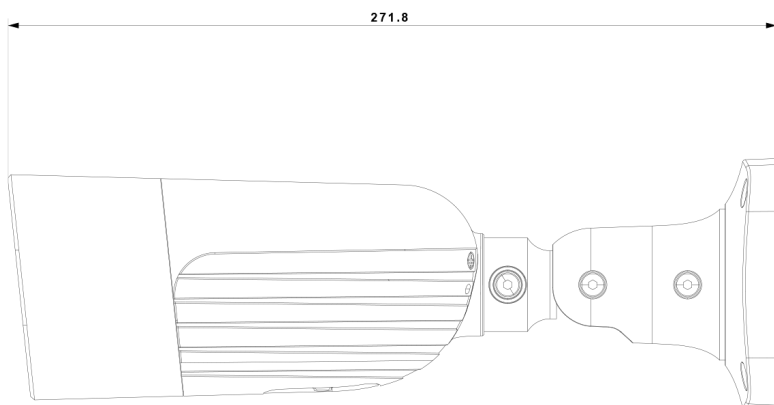
Image Sensor	1 / 2.8 "CMOS
Effective Pixels	1920x1080
Electronic Shutter	1/25s ~ 1/10000s
Frame Rate	1-25/30FPS In Normal Mode. 1-50/60FPS in HFR Mode***
Day & Night	ICR
Min. Illumination	Day: 0.1lux / Night: 0.005lux (@F1.6, AGC on) 0lux with IR on
Audio compression	G.711A/G.711U
Communication	Two-way Audio
Image Settings	AWB, AGC Adjustable, Exposure Mode (Auto), Sharpness, Saturation, Brightness & Contrast Adjustable
Image Enhancement	True WDR(120dB), BLC, HLC, ROI
Noise Reduction	3D-DNR
Image Orientation	Mirror/Flip
Privacy Zone	Yes
Motion Detection	Yes
Analytics	General Analytics: Camera Tampering License plate recognition
license plate database	LPR (database):10000 Plate Database
Speed	LPR (detection speed): 0-70Km/h
Accuracy	Recognition rate up to 99% under good conditions
Automation	Automation: Can work as a standalone for gate automation
Recognition distance	1.97m-26.87m
Recognition per second	2 plates per second
Triggers	Snapshot / Email / FTP for allow/block lists
Video Compression	H.265S/H.264S*, H.265+/H.264+/H.265/H.264, MJPEG**
Resolution	2MP / 1MP / D1 (704x576) / QVGA (480x240) / CIF (352x288)
Multi-Stream	Master Stream: 2MP (1920x1080) / 1MP (1280x720) (1~30fps) Substream: 1MP/QVGA/D1/CIF Third Stream: QVGA/D1/CIF (1~30fps)
Bit rate	64Kbps ~ 8Mbps@H.265 / 64Kbps ~ 12Mbps@H.264

\*Main Stream only, \*\*Substream only, \*\*\*No true-WDR

## SPECIFICATIONS

Encode Mode	VBR/CBR
Image Quality	Five levels under VBR; Free adjustment under CBR
IR Distance	60m (4 High-Power IR LED)
Lens (Field of View)	7-22mm MVF (44°-17.6°)
Iris	DC Iris
Lens Mount	Ø14 Mount
Protection Rate	Water Proof: IP67
Bracket	3-Axis Bracket
Dimensions	271.8x92.4x79.4mm
Weight (gross)	~1040g
Network	RJ45 (+PoE)
Power	DC Socket
Analog Video Output	Technician Port
Audio Connectivity	Audio Input + Audio Output
SD Card	Event/Schedule based Main/Substream recording (Up to 128Gb)
Hard Reset Button	Yes
Alarm	Alarm in + Alarm out
Remote Monitoring	IE Browsing, VMS Software, Provision Cam2 Mobile App
User Access	Supports simultaneous monitoring of up to 10 users with multi-stream real-time transmission
Network Protocol	IPv4, IPv6, TCP, UDP, DHCP, NTP, DDNS, 802.1X, RTSP, Multicast, UPnP, Email, FTP, HTTPS, QoS
ONVIF	Yes
Ethernet	100Mbps
PoE	Yes
Power Supply	DC12V/~910mA / PoE/~11W
Work Environment	-30°C~60°C, 10%~90% Humidity
Junction Box	PR-JB14IP66 - PR-JB14IP64

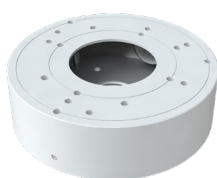
## DIMENSIONS



## ACCESSORIES



PR-JB14IP66



PR-JB14IP64